

	Onboard TI TMS320DM642 digital signal processor
	Onboard NTSC/PAL Video Decoder TI TVP5150AM1

	Onboard 8MB Flash memory
	Onboard 64MB SDRAM main memory

Built-in 9 Port LAN Switch 1 x RJ-45 connector	1 x Intel WJLXT971ALC.A4 10/100 Ethernet LAN PHY
---	--

8 x BNC composite video input connector (1Vpp, 75 ohm)	1 x composite video input interface
8 x BNC composite video loop output connector (1Vpp, 75 ohm)	

1 x RS-485 serial port (RJ-11 interface)	1 x RS-485 serial port interface
8 x alarm output terminal block (TTL level)	1 x alarm output interface
8 x alarm input terminal block (TTL level)	1 x alarm input interface

#### Other

Reset Button	1 x system reset button		1 x ivDSP blade card reset button
DC IN	1 x 12VDC IN jack		By ivServer Chassis
Backup Power	1 x backup power terminal block	Through Redundant Power Supply	
DC Fan	1 x DC Fan	4 x DC Fan	

2 x AC 100-240V ~ 50/60Hz	By ivServer Chassis
Built-in 1+1 Redundant Power Supply	
Max. 300x2 Watts	

#### Mechanical and Environmental

LED Indicator	Power LED x 1, DSP LED x 1, Video LED x 2 LAN LED x 2, Daughter Board LED x 1		Power LED x 1, DSP LED x 1, Video LED x 1, LAN LED x 1
Operating Temperature	0 ~ 40°C (32 ~ 104°F)	0 ~ 40°C (32 ~ 104°F)	0 ~ 40°C (32 ~ 104°F)
Storage Temperature	-20 ~ 60°C (-4 ~ 140°F)	-20 ~ 60°C (-4 ~ 140°F)	-20 ~ 60°C (-4 ~ 140°F)
Relative Humidity	5 ~ 95% relative humidity, non-operating, non-condensing	5 ~ 95% relative humidity, non-operating, non-condensing	5 ~ 95% relative humidity, non-operating, non-condensing
Dimension	Desktop Box 177mm (W) x 285mm (D) x 56mm (H)	2U 19" Rackmounted chassis 440mm (W) x 365mm (D) x 88mm (H)	35mm(W) x 332mm(D) x 73mm(H)
Weight	1pc/box, 2.42kgs, 35.4cm(W) x 29.3cm(D) x 11.4cm(H) 5 boxes/CTN, 13.1kgs, 58.3cm(W) x 30.5cm(D) x 38.3cm(H)	1pc/CTN, 13.8kgs	
Certification	CE/FCC/VCCI/MC/CB	CE/FCC/CB	CE/FCC/CB

#### USA Office (Representative)

WIN Enterprises  
300 Willow Street South  
North Andover, MA 01845  
Tel: 978-688-2000  
Fax: 978-688-4884  
<http://www.win-ent.com>



# ivBOX

INTELLIGENT VIDEO SURVEILLANCE SYSTEM



Powered By **OV** ObjectVideo®



**AEGIN**



The Intelligent Video Surveillance System from AEWIN is a most advanced product with upgraded functions compared to traditional video surveillance systems. It will detect and respond to any potential crisis that has been pre-defined by the security policy. It is an efficient instrument for modern security and counter-terrorist operation. Integrated with advanced computer video technology, the system recognizes video signals from the surveillance cameras, analyzes the behaviors of people and vehicles. When a violation against the defined security rules is detected, the system will send out an alert message to cell phones, PDAs, e-mails or surveillance stations through the TCP/IP Network, so the security personnel will react to the situation immediately.

### The Intelligent Video Surveillance System can be divided into 4 parts:

#### 1 Intelligent Video Process Unit ivBox series

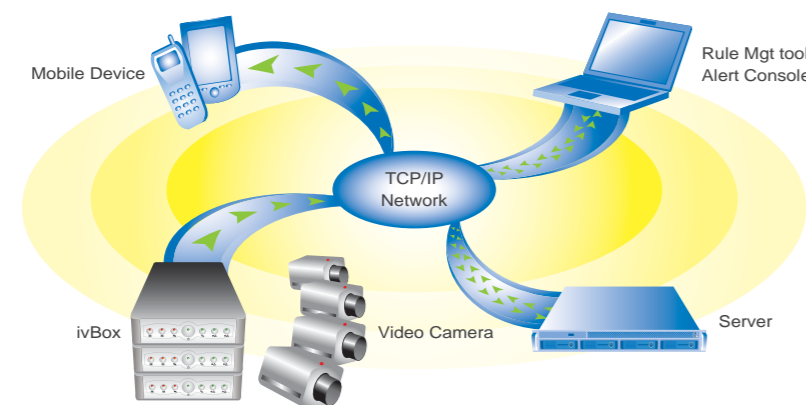
ivBox series is the core component of the Intelligence Video Surveillance System . It reads the video signals from surveillance equipments, separates the movements of people and vehicles from the background, recognizes them, analyzes them, and then traces them. It compares the behavior pattern of the subjects with the pre-defined security rules. If any violation is detected, ivBox series will send out an alert message through the network immediately. The message will be received by the Alert Console and recorded by the Server for future reference.

#### 2 Server

The Server is an application installed in the computer. It records the detailed movement reports from ivBox series.

#### 3 Tools

The Tools includes several configuration software installed in the computer: The whole Intelligent Video Surveillance System Structure Configuration setup tool, individual ivBox series and Video Channel Configuration setup tool, Security Rules setup tool... etc. These tools are used by security consultant and system specialist to adjust the system to the best performance and system condition.



#### 4 Alert Console

The Alert Console is also an application installed in the computer. It receives Alert Messages from ivBox series through the Server and displays the message on the monitor. It displays the time and location of the violation (ivBox series id and Video Channel), which security rules it violated, and snapshots when the violation occurred, etc. The message records of the Alert Console can also be used to supervise the security personnel and improves the managerial efficiency.

The Intelligent Video Surveillance System from AEWIN recognizes people, vehicles and other items from video signals based on their characteristics. It eliminates disturbances caused by natural phenomena such as water waves and tides, changes in winds and lights, to avoid a mistake and misreport. Therefore, when an Alert Message has been sent by the Intelligent Video Surveillance System, there must be a real violation against the security rules and require immediate attention. Different security policy can be applied to the Intelligent Video Surveillance System from AEWIN according to different periods of time or other factors. For example: a side entrance of the bank, holidays and off hours... etc.

### Advantages of ivServer : rack-mounted multi-channel ivBox



#### Extensibility

Standard 19 inch rack-mounted ivServer is easy to install and stack into the rack on machinery room beside the cabling tunnel. You can freely pile more ivServer for future expansion need.



#### Stability

Except cameras, centralized all elements into a solid cabin to avoid kinds environment influence, such as temperature, humidity, dusty, electric and magnetic interference, rust and crrode ...etc.



#### Availability

ivServer was builded on redundancy power system. It's automatically switch to the backup battery when the city power down. Or, stealthily switch the power source on a dual power supply design.



#### Maintainability

ivServer support multiple channel of video source analysis, concurrently. But, ivServer split into several processor circuit board for each video channel. Once any reason damage one piece of the board, you may easily hot-swap to change it without affect others.

### Product Features :



#### 1 Identify and Classify

Detect moving objects in the video from surveillance equipments, identify them as people, vehicles or other items, then classify and trace the objects to decide if there is any potential threat.



#### 2 Polygon Area

Monitor the people and vehicles that enter or exit a specific area. For example: an apron, working section of docks and train stations, backstage of business sites, etc.



#### 3 Tripwire and Multi-Tripwire

Monitor the people and vehicles that pass a tripwire from a specific direction. For example: A security line, an one-way gate, a rail fence, etc. Multi-Tripwire monitors specific movements. For example: A left turn violation, speeding, etc.



#### 4 Loitering

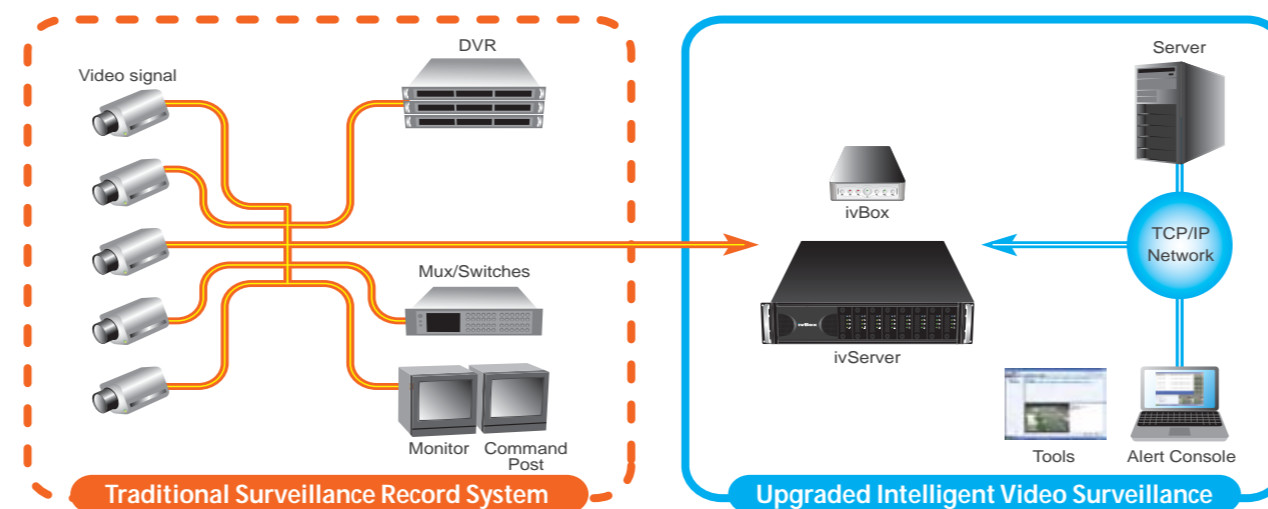
When detecting people or vehicles loitering for no reason, the system will send out an alert message to the security personnel for further inspection.



#### 6 Leave Behind

Monitor possible explosive devices, flammable items, and bio chemical polluted items that have been left behind.

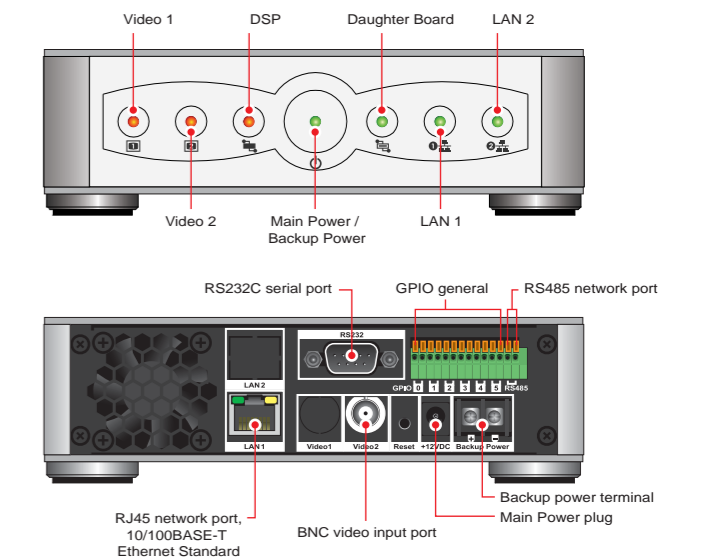
There are more surveillance rules that can be modified to suit your needs.



### Product Features :

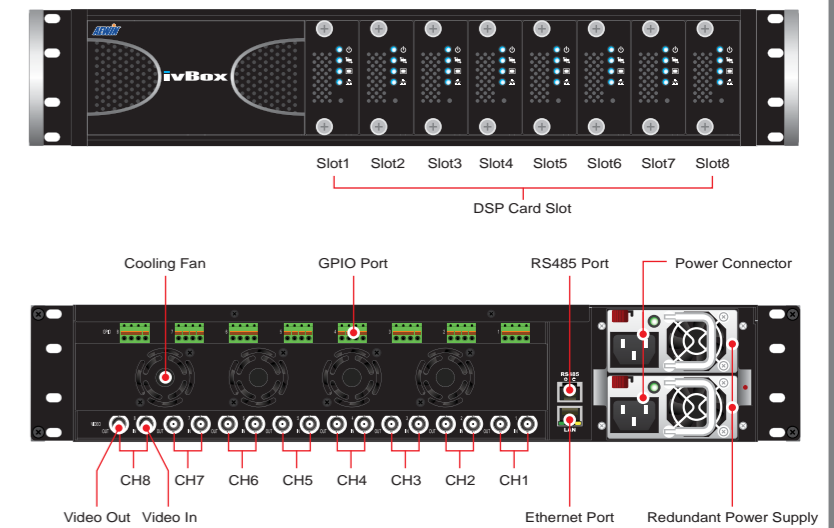
#### Desktop Box TI DSP-based Intelligent Video Surveillance Appliance with ObjectVideo OnBoard

- Onboard hyper speed TI TMS320DM642 digital signal processor
- Embedded ObjectVideo OnBoard intelligent video analytics technologies
- Easily integrate with existing CCTV security system
- Real-time object detection, classification and alert
- One 10/100Mbps via RJ-45 Ethernet interface
- One channel camera analog video analytics



#### 2U Rack-Mount Blade Server Chassis, Built-in 9 Port LAN Switch and 1+1 Redundant Power Supply

- Up to 8 channels camera analog video analytics (hot-swappable ivDSP blade card)
- Built-in Hot-swappable 1+1 redundant power supply
- Built-in 9 Port LAN Switch
- Easily integrate with existing CCTV security system
- One 10/100Mbps via RJ-45 Ethernet interface
- One RS-485 serial port via RJ-11 interface



#### 2U Blade Card TI DSP-based Intelligent Video Surveillance Appliance with ObjectVideo OnBoard

- Onboard hyper speed TI TMS320DM642 digital signal processor
- Embedded ObjectVideo OnBoard intelligent video analytics technologies
- Blade card level hardware easily maintain and hot-swappable
- Real-time object detection, classification and alert
- One 10/100Mbps Ethernet
- One channel camera analog video analytics

